



DOCUMENTATION SHEET

Steel Spring Isolator Type CX

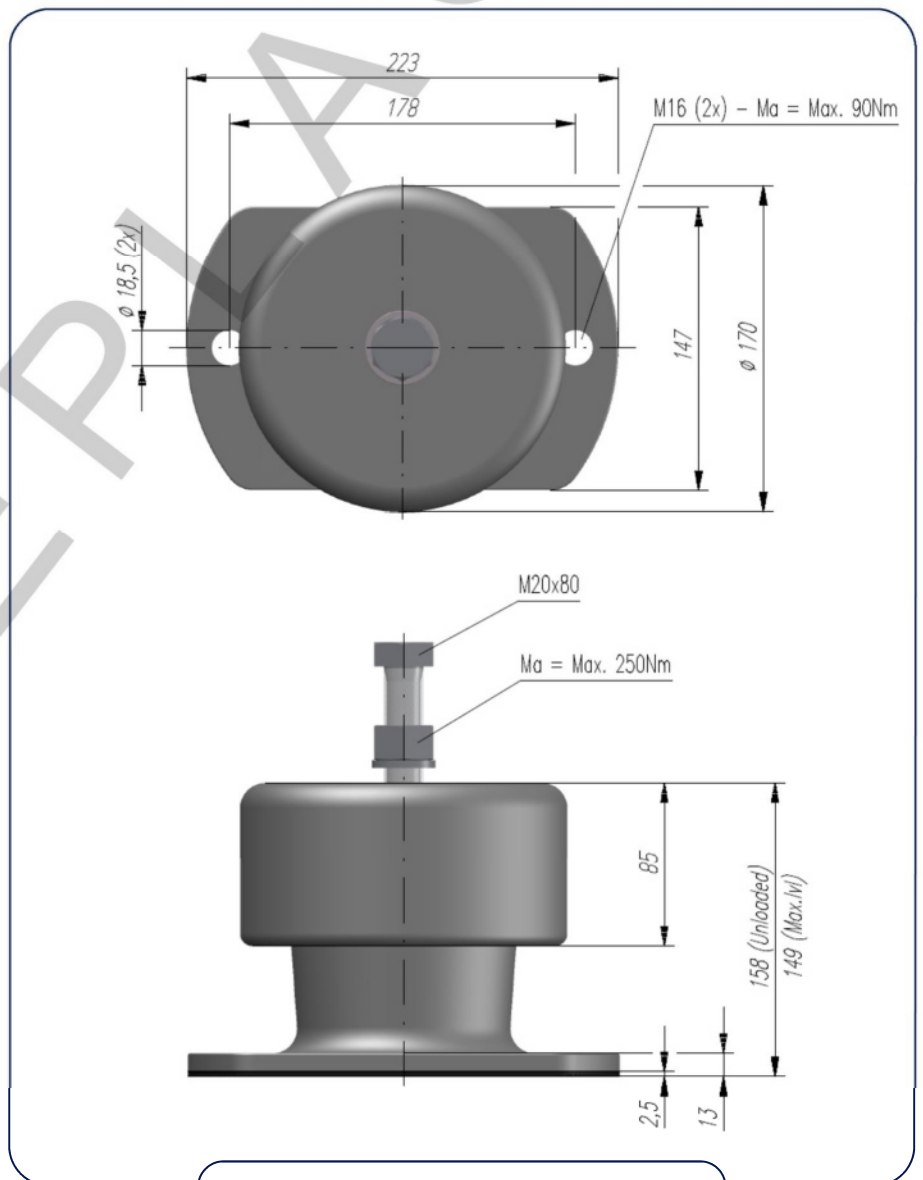
CX

General

Circular spring isolators type CR, CS, CM, CT and CX are available for a load range up to 12.45 kN at 25 mm deflection and up to 10.25 kN at 50 mm deflection. The helical spring isolators are enclosed in aluminum castings, the top interlocking with the base. A built-in leveling device is adjustable by the supplied top fixing screw. A molded neoprene O-ring prevents metal to metal contact of the casting and forms a seal against the weather and contaminants. For offshore applications we recommend the use of Admiralty Gun Metal castings, which are available for different types of isolators

Applications

- Generator sets
- Emergency power supplies
- DC-AC converters
- Industrial fans
- Air-handling units
- Pumps
- Air-conditioning machines
- Compressor packages
- Electrical equipment
- Refrigerators
- Cooler units



DIMENSIONS



Type	Cz [N/mm]	Cx, y [N/mm] at preferential load	Fz max [N]	Fz preferential [N]
CX800	140,1	90,5	3559	3082
CX1000	175,1	101,8	4449	3853
CX1200	210,1	106,9	5339	4623
CX1400	245,1	118,2	6229	5394
CX1600	280,2	190,7	7117	6164
CX1800	315,2	195,0	8007	6935
CX2000	350,2	205,3	8696	7705
CX2200	385,2	209,6	9786	8476
CX2400	420,2	211,3	10676	9247
CX2600	455,3	326,6	11565	10017
CX2800	490,0	328,3	12454	10788

CHARACTERISTICS

Isolator selection

This described isolator selection is based on the vertical load of the isolators, if required seismic and 6 DOF calculations can be performed by our specialists.

1. Determine the total weight of the machine to be isolated, including work load
2. Determine the position of the combined centre of gravity in horizontal and vertical planes
3. Decide the number of isolators and the positions where the isolators are to be placed relative to the combined centre of gravity
4. Calculate the load per isolator
5. Select with the help of the preferential load in the table the suitable type of mounting

We recommend selection of the isolators be made with the load per isolator within + or - 10% of the preferential load. The static deflection of the isolator is calculated by dividing the load per isolator by the stiffness Cz given in the table for the selected isolator.



Rubber Design B.V.

Industrieweg 21
2995BE Heerjansdam
The Netherlands
Phone: +31 (0) 78 677 87 78
Fax: +31 (0) 78 677 10 38
Email: info@rubberdesign.nl
Web: www.rubberdesign.nl